

Span Lifting Jacks - Threaded Ram, Spring / Load Return

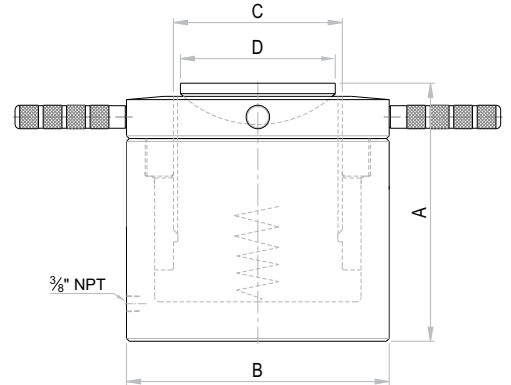
Threaded Ram, Spring Return

Capacity 200 - 500 ton / Stroke 40 - 100 mm



Features / Application

- Compact with ram stopper design ideally suited where space is limited.
- Lifting application requiring sustained load holding in Infrastructure projects, heavy fabrication.

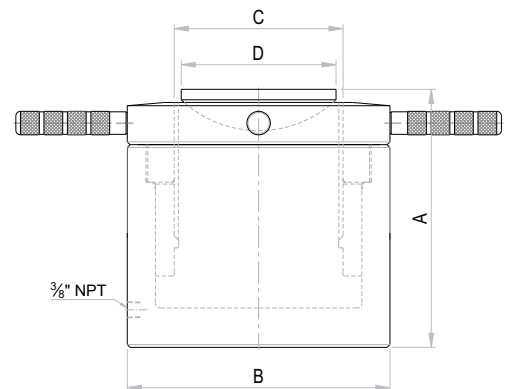


CSTS Series - C Customised S Single acting Spring return T Threaded ram S Spherical saddle 200 Capacity - ton 50 Stroke - mm

Capacity (ton)	Capacity (kN)	Stroke (mm)	Model	Effective area (cm ²)	Oil cap. (cc)	Closed height A (mm)	Cylinder OD B (mm)	Ram dia. C (mm)	Saddle dia. D (mm)	Wt. (Approx.) (kg)	Suitable pump
200	2199	50	CSTS 200-50	314.2	1571	200	255	160	150	75	OHP-2P4/2-5
250	2661	45	CSTS 250-45	380.1	1711	220	280	180	165	100	OHP-2P4/2-5
250	2661	75	CSTS 250-75	380.1	2851	250	280	180	165	105	OHP-2P4/2-5
250	2661	100	CSTS 250-100	380.1	3801	275	280	180	165	118	OHP-2P4/2-8
300	3167	100	CSTS 300-100	452.4	4524	290	310	200	180	162	OHP-2P4/2-8
400	4242	40	CSTS 400-40	706.9	2827	235	400	250	230	220	OHP-2P4/2-8
500	4948	50	CSTS 500-50	706.9	3534	320	400	250	225	310	OHP-2P4/2-8

Threaded Ram, Load Return

Capacity 100 ton / Stroke 50 - 75 mm



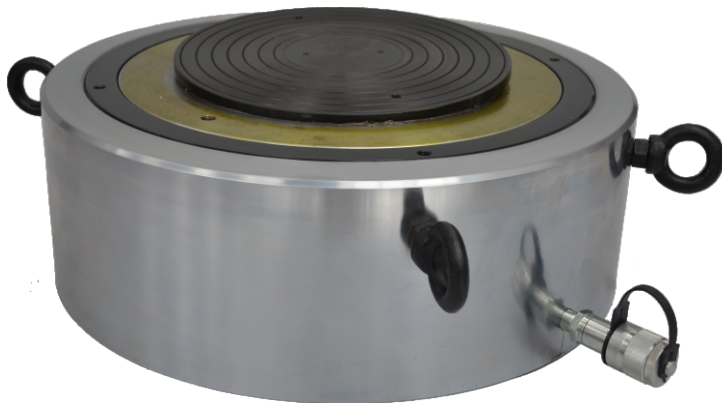
CLTS Series - C Customised L Single acting Load return T Threaded ram S Spherical saddle 100 Capacity - ton 40 Stroke - mm

Capacity (ton)	Capacity (kN)	Stroke (mm)	Model	Effective area (cm ²)	Oil cap. (cc)	Closed height A (mm)	Cylinder OD B (mm)	Ram dia. C (mm)	Saddle dia. D (mm)	Wt. (Approx.) (kg)	Suitable pump
100	1077	150	CLTS 100-50	153.9	770	175	180	110	100	40	OHP-2P4/2-5
100	1077	75	CLTS 100-75	153.9	1155	200	180	110	100	47	OHP-2P4/2-5

- Higher capacity and customized solutions on request. ■ Specifications are subject to change due to continual improvement.
- Capacity and Stroke specified are maximum safe limits. As safe practice, use at 80% of rating.

Span Lifting Jacks - Plain Ram, Load Return

Capacity 250 - 1000 ton / Stroke 45 mm / Max. Working Pressure 700 bar



Features / Application

- Used in low clearance confined area.
- Ideally suited for precision lifting, alignment of machinery, heavy structures and girders requiring sustained load holding.

Note: Don't over stroke, no Ram stopper.

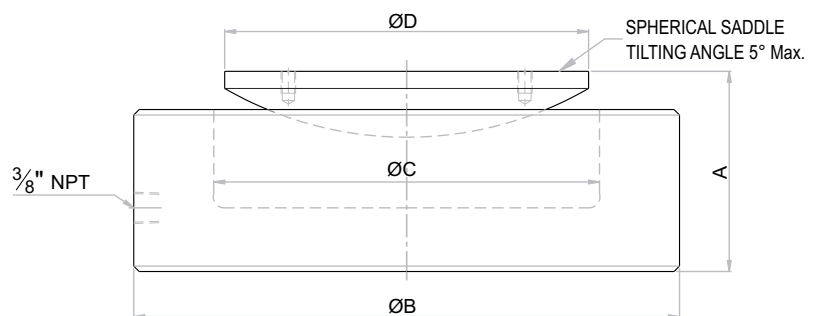


Caution

Stop lifting once "Red band" on ram appears above cylinder surface

Caution

Provide a level and solid support for entire jack base area & saddle top since the ram guide length is small.



OLPVLS Series - **O** Orione **L** Single acting Load return **P** Plain ram **VL** Very Low height **S** Spherical saddle **250** Capacity - ton **45** Stroke - mm

Capacity (ton)	Capacity (kN)	Stroke (mm)	Model	Effective area (cm ²)	Oil cap. (cc)	Closed height A (mm)	Cylinder OD B (mm)	Ram dia. C (mm)	Saddle dia. D (mm)	Wt. (Approx.) (kg)	Suitable pump
250	2661	45	OLPVLS 250-45	380.1	1711	140	280	220	200	65	OPU-2-20-HS
400	4008	45	OLPVLS 400-45	572.6	2576	160	350	270	250	112	OPU-2-20-HS
500	4948	45	OLPVLS 500-45	706.9	3181	170	400	300	290	158	OPU-2-20-HS
800	7939	45	OLPVLS 800-45	1134.1	5104	190	505	380	340	275	OPU-2-20-HS
1000	9930	45	OLPVLS 1000-45	1418.6	6384	220	560	425	380	392	OPU-2-20-HS

- Higher capacity and customized solutions on request. ■ Specifications are subject to change due to continual improvement.
- Capacity and Stroke specified are maximum safe limits. As safe practice, use at 80% of rating.

Span Lifting Jacks - Plain Ram, Load Return (With Cribbing Block)

Capacity 75 - 250 ton / Stroke 30 - 100 mm / Max. Working Pressure 700 bar



Features / Application

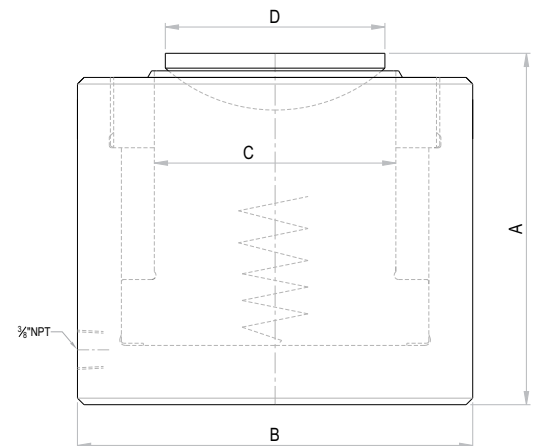
- Low height design for low clearance areas.
- Tilt saddle to take care of angular loading.
- Internal stopper prevents ram ejection.

Caution

- Position jack on flat base - use base plate.
- Add taper packing on saddle to restrict angular loading.
- Provide support block for structure after lifting.



Cribbing Block



CSLS Series - **C** Customised **S** Single acting Spring return **L** Low height **S** Spherical saddle (Tilting angle 5° max.) **75** Capacity - ton **30** Stroke - mm

Capacity (ton)	Capacity (kN)	Stroke (mm)	Model	Effective area (cm ²)	Oil cap. (cc)	Closed height A (mm)	Cylinder OD B (mm)	Ram dia. C (mm)	Saddle dia. D (mm)	Wt. (Approx.) (kg)	Suitable pump
75	770	30	CSLS 75-30	153.9	462	125	165	110	100	17	OHP-2P4-2-5
100	1077	60	CSLS 100-60	153.9	924	160	180	110	100	25	OHP-2P4-2-5
200	2199	55	CSLS 200-55	314.2	1728	180	255	160	150	63	OHP-2P4-2-5
250	2661	60	CSLS 250-60	380.1	2281	200	280	180	165	86	OHP-2P4-2-8
250	2661	100	CSLS 250-100	380.1	3801	240	280	180	165	102	OHP-2P4-2-8

- Higher capacity and customized solutions on request. ■ Specifications are subject to change due to continual improvement.
- Capacity and Stroke specified are maximum safe limits. As safe practice, use at 80% of rating.